

6 – 40" (153 – 1000mm)

An internally mounted flange facing machine for all types of flange facing, seal groove machining, weld preparation and counter boring.



- Latest linear technology – delivering a robust, reliable operation
- Powered 360° tool post – for a wider range of machining operations
- Three speed continuous feed gearbox, for gramophone finish
- Quick set adjustable clamping jaws, minimising set up time

The MM1000i machine is supplied complete with toolkit including tools and inserts, air filter lubricator and hose connection, all required mounting base and extensions, storage / shipping box, CE certificate, packing list and manual.

## Technical Details

Minimum Facing Diameter	153mm	6"
Maximum Facing Diameter	1000mm	40"
Minimum Clamping Diameter	145mm	5.7"
Maximum Clamping Diameter	813mm	32"
Minimum Swing Diameter	813mm	32"
Tool Post Travel – (geared automatic)	102mm	4"
R.P.M	Min: 0	Max: 33
Drive – Pneumatic @ 90 P.S.I (6 bar)	1.7Kw	2.2Hp
Air Consumption / Supply Required	1.79 m <sup>3</sup> /min	64 S.C.F.M

## Feed Rates

### Facing Feed Rates (3 off In/Out)

Direction	Gear	mm/rev	inches/rev	grooves per cm	grooves per inch
Out	1	0.139	0.005	72	183
	2	0.217	0.009	46	117
	3	0.528	0.021	19	48
In	1	0.165	0.006	61	154
	2	0.258	0.010	39	98
	3	0.628	0.025	16	40

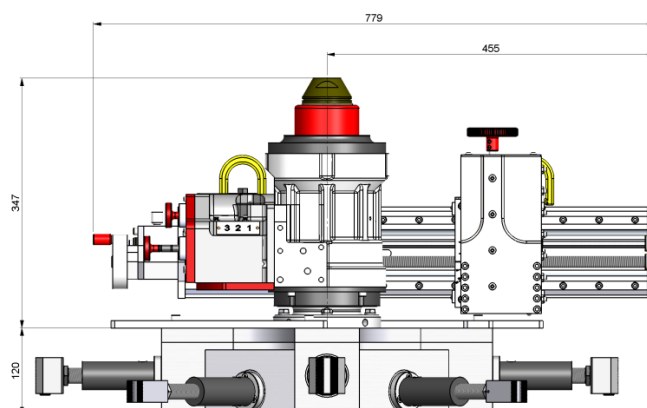
	mm/rev	inches/rev
Boring Feed Rates (3 off Up/Down)	0.05 – 0.10 – 0.20	0.002 – 0.004 – 0.008

## Weights

Machine Weight	155kg	340lbs
Shipping Weight	200kg	440lbs

## Shipping Dimensions

Length		Width		Height	
mm	inches	mm	inches	mm	inches
840	33	600	24	720	28



## Optional Accessories



**RTJM1000**  
RTJ Measuring Kit



**MM1000i-SK**  
2 years Recommended  
Spares Kit



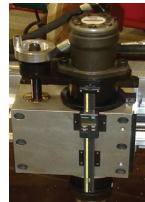
**MM1000i-7**  
Heat Exchanger Mounting  
Plate Kit



**MM1000i-22**  
Heat Exchanger Back Facing  
Kit



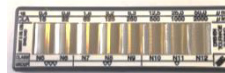
**PP1**  
11 KW 3 phase power pack -  
56 L.P.M up to 100 BAR



**MM1000i-10**  
Hydraulic Orbital Milling Kit



**RBC0130**  
Surface Comparator – Multi  
Discipline



**RBC0120**  
Surface Comparator

**MM1000i-14**  
Hydraulic Drive Conversion  
Kit