

40" stroke - \varnothing 3 - 12" capacity



The Mirage CHT1000-SSSW Hot Tapping Machine has been designed to hot tap into live pipelines to a depth of 300m sub-sea. The machine has a working pressure capacity of 5000 psi and can hot tap from 3 – 12”.

Features

- Helical geared high torque drive
- Drive as close to cutter as possible to optimise cutting performance
- Internally pressure balanced system for high working pressures
- Auto variable feed gearbox and motor to suit pipeline material
- Geared mechanical depth display
- Constant seal & pressure monitoring

PATENT 0703716.1- International wo2008/104753

The machine is supplied complete with feed and drive motor, lifting brackets, (3 - 4”), (6 - 12”) cutter holders, connection hoses & pressure gauge, toolkit, all required mounting studs & nuts and connection spool, certified lifting frame and control panel, storage / shipping box, CE certificate, packing list and manual – pressure certification 5000 psi (345 bar).

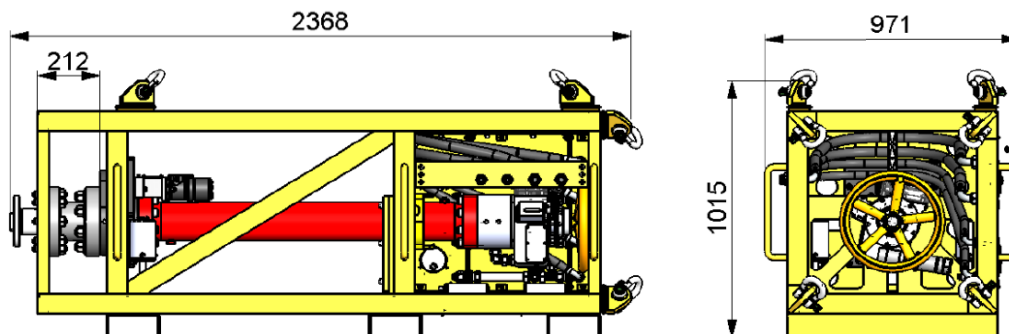
For full ROV compatibility additional control panel with ROV handles, hot stab, frame handles and floatation can be provided. Optional deployment basket can also be provided.

Description		
Minimum tapping hole diameter	157mm	3"
Maximum tapping hole diameter	305mm	12"
Maximum design operating pressure	345 Bar	5000 Psi
Maximum operating temperature standard	100° C	212° F
Spindle bar travel	1101mm	43"
Spindle bar minimum clearance	75mm	3"
R.P.M	Min: 5	Max: 40
Drive – Hydraulic	4.0 Kw	5.4 Hp
Feed – Hydraulic	1.8 Kw	2.4 Hp
Hydraulic Flow Rate @80 Bar	50 L/min	13 Gal/min

Feed Rates		
Feed rate – Manual / revolution	3.5mm	0.138"
Feed rate auto feed	0 – 0.2mm/rev	0 – 0.008"/rev

Weights & Dimensions			
Machine weight (including frame)		823 kgs	1814 lbs
Shipping weight		1361 Kgs	3000 lbs
Shipping dimensions	L - 290cm - (114")	W- 130cm (51")	H- 145cm (57")

Shipping Dimensions					
Length		Width		Height	
cm	inches	cm	inches	cm	inches
290	114"	130	51"	145	57"



Optional Accessories



HTC3 - HTC36
Standard hot tap cutters
from 3 - 36"

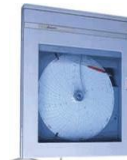


PP1 - 11 Kw 3 Phase Power Pack
56 L.P.M up to 100 bar remote
Pendant

PP4 - 35 Kw Power Pack
Diesel engine silent type, complete
with 12 volt control variable delivery
axial piston pump with constant
pressure
control, variable output flow, 0 to 80
L.P.M up to 160 bar



SHTPD3 - SHTPD36
Standard hot tap pilot
drills with wire retainers



CHT - 5000PT
Third party pressure test with
calibrated test equipment



LSC4 - LSC36
Line stop cutters 4 - 36"



LSPD4 - LSPD36
Standard line stop pilot drills with
wire retainers



150-3FA - 600-24FA
Standard flange adapters
(3 - 24") #150, #300, #600



Special Flange Adapters
(3 - 24") #900, #2500, PN16, API and
line stop



HTC3EX - HTC36EX
Extended hot tap cutters
from 3 - 36"



SHTPD3EX - SHTPD36EX
Extended hot tap pilot drills 3 - 36"



LSFH4 - LSFH36
Line stop folding heads 4 - 24"



Line stop actuator machines
Manual and hydraulic