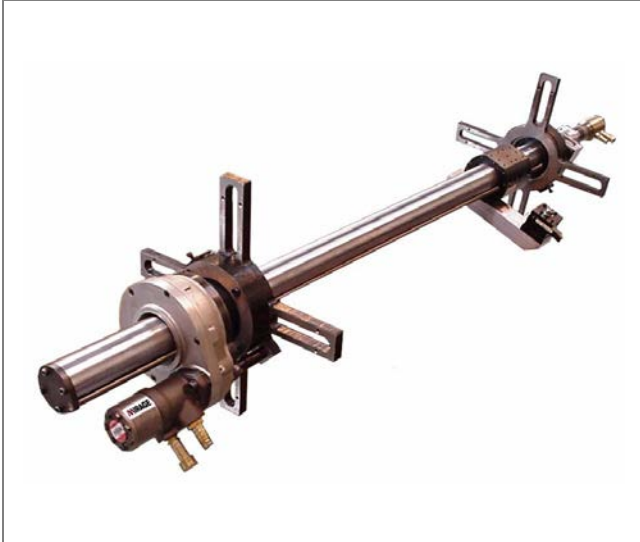


406 – 2030mm (16 - 80") diameters

Rev 1.1



- **Hydraulic powered helical drive** - High torque transfer with smooth power delivery
- **Hollow hard chrome precision bar reduces bar weight** - minimises sag and assists laser alignment
- **Variable auto feed** – Suitable for wide range of materials and applications
- **Adjustable boring arms** - Quick set up and high torque transfer to the cutting tool
- **Internal/external self-aligning mounts** – Maintains quick set up with spherical bearing built in to accommodate mis-alignment

A precision, heavy duty, line boring machine for stern tubes, rudder bores, hinge pins, gearboxes, turbines and many more applications.

Standard supply: - toolkit, tools & inserts and toolbox, 2 off four leg mounting plates with self-aligning bearings, adjustable arms, feed gearbox & motor, drive gearbox & motor, distributor, storage / shipping box, CE certificate, packing list and manual.

Technical Details

Minimum Boring Diameter	405mm	16"
Maximum Boring Diameter Standard	2032mm	80"
Standard Boring Bar Length Supplied	3500mm	139"
Maximum Bar Length	7500mm	296"
Bar R.P.M - Standard	Min: 5 rpm	Max: 130 rpm
Drive - Hydraulic @ 70 bar (1050 p.s.i)	3.7 Kw	5.0 Hp
Feed - Hydraulic @ 70 bar (1050 p.s.i)	1.64 Kw	2.2. Hp
Hydraulic Supply Required	50 L/min 13 Gal/min	13 Gal/min

Feed Rates

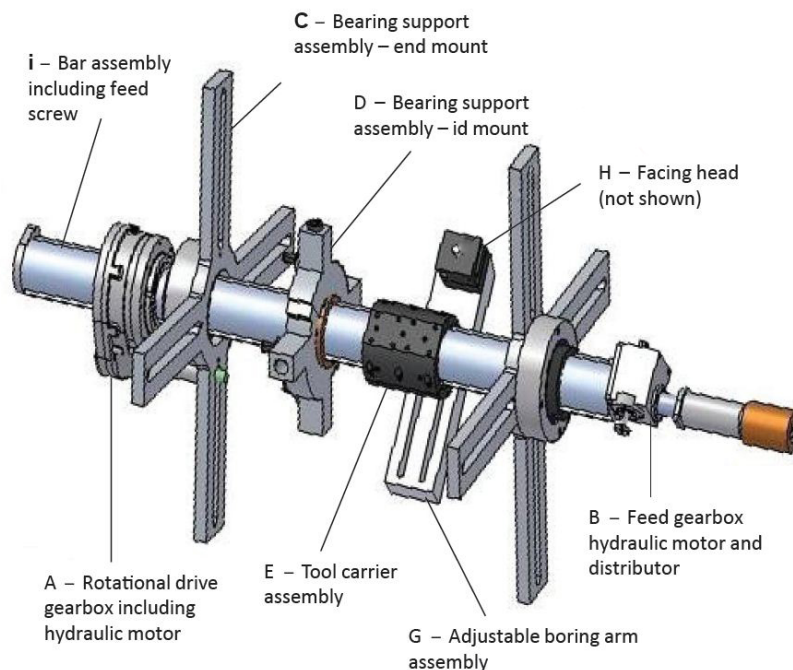
Boring Feed Rate - Infinitely Variable	0 - 25mm/min	0 - 1.0"/min
Hand Feed / Revolution	2.0mm	0.078"

Weights and Dimensions

Machine Weight with 4.0m Bar and Supports	1223 Kgs	2690 Lbs
Shipping Weight with 4.0m Bar and Supports	1400 Kgs	3080 Lbs

Shipping Dimensions

Length		Width		Height	
mm	inches	mm	inches	mm	inches
4190	165	1080	43	610	24



Accessories

<p>A</p> <p>LB150-2 Rotational Drive & Hydraulic Motor</p>	<p>B</p> <p>LB100-2 Feed Gearbox, Hydraulic Motor & Distributor</p>
<p>C</p> <p>LB150-3 (20-48") 4-Leg End Mount Bearing Support</p>	<p>D</p> <p>LB150-5 (18-36") ID Mount Bearing Support</p>
<p>E</p> <p>LB150-4 Tool Carrier Assembly</p>	<p>G</p> <p>LB150-10 (16-80") Adjustable Boring Arm Set</p>
<p>H</p> <p>LB150-14* 20" Stroke Facing Head Assembly & Striker</p>	<p>I</p> <p>LB150-1-X Boring bar / feed Screw Assembly (Suffix 'X' Length m)</p>
<p>LB150-11 (not pictured) 11.5" Stroke Facing Head Assembly & Striker</p>	<p><i>Items marked * are optional. All other items are standard supply.</i></p>