

12 – 60" (305 – 1500mm)

An internally mounted flange facing machine for all types of flange facing, seal groove machining, weld preparation and counter boring.



- Latest linear technology – delivering a robust, reliable operation
- Swivel powered tool post – for a wider range of machining operations
- Quick set adjustable clamping jaws, minimising set up time
- Three speed continuous feed gearbox, for gramophone finish (ASME Standard)

The MM1500i machine is supplied complete with toolkit including tools and inserts, air filter lubricator and hose connection, all required mounting bases and extensions, storage / shipping box, CE certificate, packing list and manual.

Technical Details

Minimum Facing Diameter	270mm	10.63"
Maximum Facing Diameter	1550mm	61"
Minimum Clamping Diameter	320mm	12.6"
Maximum Clamping Diameter	1400mm	55"
Tool Post Travel	100mm	4"
Tool Post Swivel Angle	+ / - 30°	
R.P.M	Min: 0	Max: 22
Drive – Pneumatic @ 90 P.S.I (6 bar)	3.0 Kw	3.96 Hp
Air Consumption / Supply Required	2.55m3/min	90 S.C.F.M

Feed Rates

Facing Feed Rates (3 off In/Out)

Direction	Gear	mm/rev	inches/rev	grooves per cm	grooves per inch
Out	1	0.130	0.00511	76	195
	2	0.203	0.007844	49	127
	3	0.494	0.01944	20	51
In	1	0.155	0.00061	65	164
	2	0.241	0.00948	41	105
	3	0.588	0.02314	17	43

Out - mm/rev	In - mm/rev
--------------	-------------

Boring Feed Rate - Out

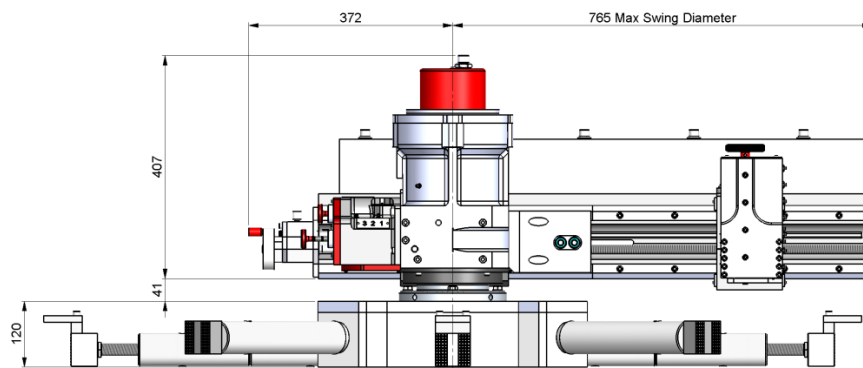
0.02, 0.045, 0.12	0.04, 0.06, 0.13
-------------------	------------------

Weights

Machine Weight (including arm)	155kg	341lbs
Independent Base Weights	25, 46, 67kg	55, 101, 147.7
Shipping Weight	500kg	1102lbs

Shipping Dimensions

Length		Width		Height	
mm	inches	mm	inches	mm	inches
1230	48	820	32	830	33



Optional Accessories



RTJM1500
RTJ Measuring Kit



MM1500i-10
Hydraulic Orbital Milling Kit



MM1500i-SK
2 years Recommended Spares Kit



MM1000i-22
Heat Exchanger Back Facing Kit



MM1000i-7
Heat Exchanger Mounting Plate Kit



PP1
11 KW 3 Phase Power Pack - 56
L.P.M up to 100 BAR



RBC0130
Surface Comparator – Multi
Discipline



RBC0120
Surface Comparator

MM1000i-14
Hydraulic Drive Conversion Kit