

60" stroke / 12" Cross Feed - 3 Axis Milling Machine



- Induction hardened 'V' rails for accuracy and durability
- Ball screw main axis auto feed
- New fast set magnet mounting available
- Mounts to Mirage gantry mill

A 3 axis milling machine that is built for rigidity and accuracy suitable for all general purpose in situ milling. Used on heat exchangers, pump and motor pads, steel mill stands, ship building, turbine split lines and many more applications.

The machine is supplied complete with toolkit including:

- Air filter lubricator and hose connection (when required)
- All required bolts
- Storage / shipping box
- CE certificate, packing list and manual.

Technical Details

Maximum Stroke X (main bed)	1500mm	60"
Maximum Stroke Y (cross feed)	305mm	12"
Maximum cutter diameter	200mm	8" with special adaptation at additional cost
Spindle Type	International 40	
Maximum spindle down feed	80mm	3.15"
Drive - Pneumatic	4.0 Hp	3.0 Kw
Drive - Hydraulic	5.0 Hp	3.7 Kw
Spindle R.P.M (Motor dependent – 286 R.P.M as standard)	Min: 50	Max: 640
Feed - Pneumatic @ 90 p.s.i (6 bar)	1.5 Hp	1.11 Kw
Feed - Hydraulic	2.2 Hp	1.64 Kw
Hydraulic Supply @ 1050 p.s.i (70 bar)	50 L/min	13 Gal/min
Air Consumption / Supply Required	98 s.c.f.m	2.69 m3/m

Feed Rates

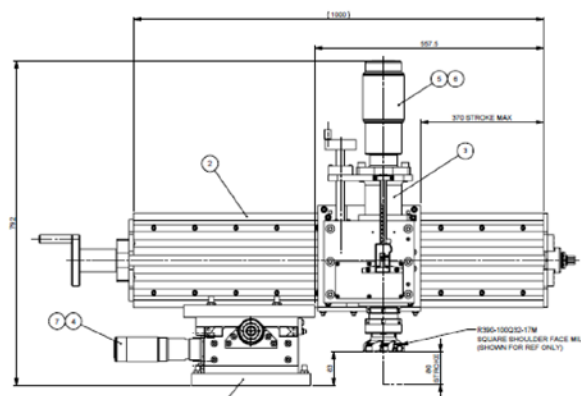
Hand Feed	10mm/rev	0.394"/rev
Auto Feed Standard Motor Supply	0 - 83mm/min	0 - 3.25"/min

Weights and Dimensions

Machine Weight	381 kgs	840 lbs
Shipping Weight	477 kgs	1052 lbs

Shipping Dimensions

Length		Width		Height	
mm	inches	mm	inches	mm	inches
2750	108	760	30	610	24



Optional Accessories



MAG250 Mounting Magnets

High pull down mounting magnets for fast attachment to flat surfaces



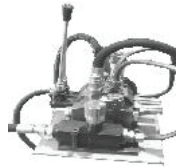
PP2 11 Kw 3 Phase Power Pack

60 L.P.M up to 90 bar - 24 volt dc fully CE marked



DRO-6 (supplied as standard)

6" digital readout for accurately measuring spindle feed stroke and cut depth



HYHK - 10m twin hose kit - (feed and return)

With flow controllers and valves to give independent speed and line control