

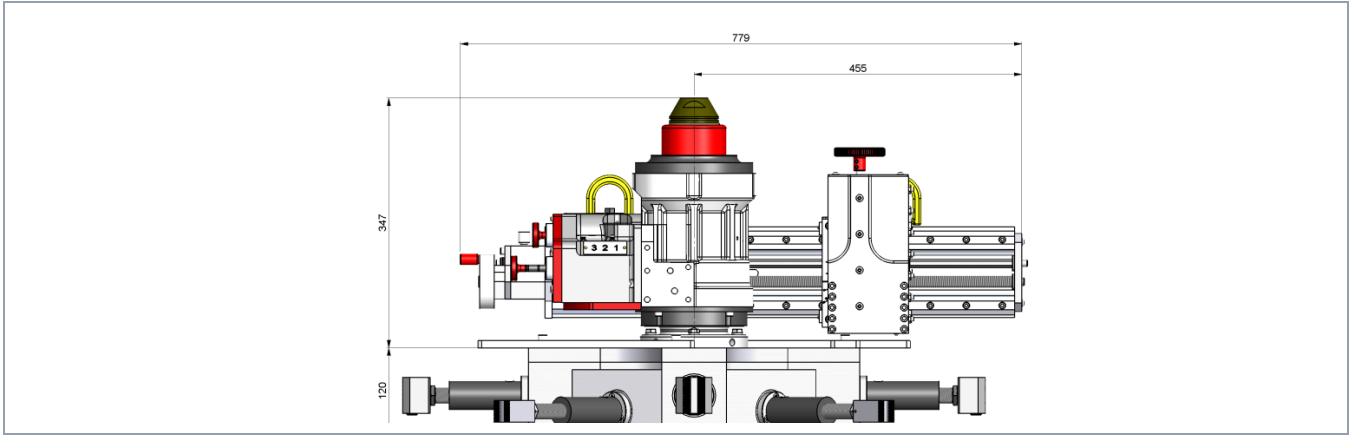


Minimum Facing Diameter	153mm	6"
Maximum Facing Diameter	1010mm	39.7"
Minimum Clamping Diameter	145mm	5.7"
Maximum Clamping Diameter	813mm	32"
Max Swing Diameter Required	1220mm	32"
Tool Post Travel – (geared automatic)	102mm	4"
R.P.M	Min: 0	Max: 24
Drive – Pneumatic @ 90 P.S.I (6 bar)	1.57Kw	2.1Hp
Air Consumption / Supply Required		67 S.C.F.M



Machine + bases Weight	140kg	308.6 lbs
Shipping Weight	208kg	458lbs

840	33	600	24	720	28
-----	----	-----	----	-----	----



Optional Accessories



RTJM1000
RTJ Measuring Kit



MM1000i-SK
2 years Recommended
Spares Kit



MM1000i-7
Heat Exchanger Mounting
Plate Kit



MM1000i-22
Heat Exchanger Back Facing
Kit



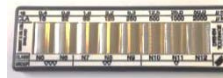
PP1
11 KW 3 phase power pack -
56 L.P.M up to 100 BAR



MM1000i-10
Hydraulic Orbital Milling Kit



RBC0130
Surface Comparator – Multi
Discipline



RBC0120
Surface Comparator

MM1000i-14
Hydraulic Drive Conversion
Kit