

18" stroke - \varnothing 1/2 - 4" capacity

Rev 1.1



- **Manual rotation & feed**
- **2" NPT connection**
- **Lightweight construction**
- **Pressure 102 bar (1480 psi)**

A version of our HTM machines with a maximum working pressure capacity of 1480 p.s.i, it can hot tap from \varnothing 1/2 - 4" specifically designed for the water, gas and petrochemical industries.

The machine is supplied complete with:

- Toolkit
- Air filter
- Lubricator (when required) and hose connection
- All required hole saw adapters and drive plates
- Storage / shipping box
- CE certificate
- Packing list and manual

Technical Details

Minimum Tapping Hole Diameter	13mm	½"
Maximum Tapping Hole Diameter	102mm	4"
Maximum Working Pressure	102 bar	1480psi
Maximum Operating Temperature	200°C	392°F
Minimum Clearance for Spindle	33mm	1.3"
Spindle Bar Travel	457mm	18"
Optional pneumatic drive – rotation	0 rpm	(max.) 200 rpm
Optional pneumatic drive – max.power	750 kW	1 HP
Pneumatic supply for drive motor	0.84 m3/m (@ 6.2bar)	29.5 s.c.f.m (@90psi)

Feed Rates

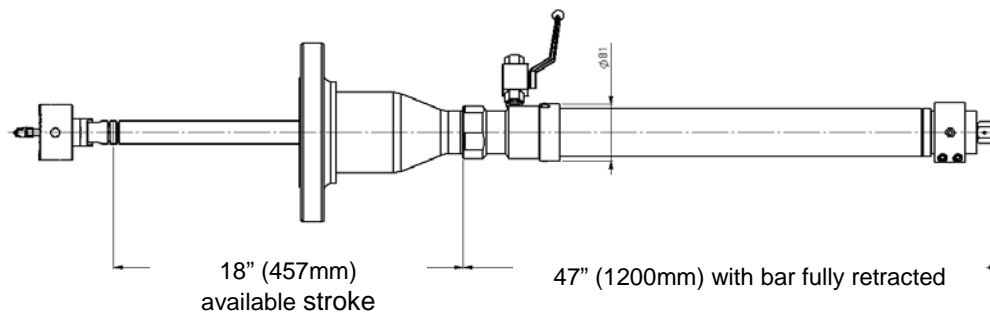
Feed Rate - Manual / Revolution Hand Feed	3.0mm/rev	0.118"
---	-----------	--------

Weights and Dimensions

Machine Weight	19kgs	42lbs
Shipping Weight	44kgs	97lbs






Shipping Dimensions

Length		Width		Height	
mm	inches	mm	inches	mm	inches
1260	50	400	16	360	14



Optional Accessories

Complete set for 1/2" - 4" #100 Hot Taps

Accessory	Part number	Description	Quantity
	HTM100	(1/2" - 4") HOT TAP MACHINE	1
Flange adapters			
	TA2-2	2" NPT THREADED ADAPTER	2
	FA2#150	2" #150 FLANGE ADAPTER	1
	FA3#150	3" #150 FLANGE ADAPTER	1
	FA4#150	4" #150 FLANGE ADAPTER	1
	FA2#300	2" #300 FLANGE ADAPTER	1
	FA3#300	3" #300 FLANGE ADAPTER	1
	FA4#300	4" #300 FLANGE ADAPTER	1
Standard drills			
	HTMD1/2	1/2" STANDARD DRILL	1
	HTMD1	1" STANDARD DRILL	1
	HTMD1 1/4	1-1/4" STANDARD DRILL	1
	HTMD1 1/2	1-1/2" STANDARD DRILL	1
Hole saw tooling			
	HTMHSP2	2-3" HOLE SAW HOLDER & PILOT DRILL	1
	HTMHSP3	3-6" HOLE SAW HOLDER & PILOT DRILL	1
Hole saw cutters			
	HTMHS2	2" HOT TAP HOLE SAW	1
	HTMHS3	3" HOT TAP HOLE SAW	1
	HTMHS4	4" HOT TAP HOLE SAW	1