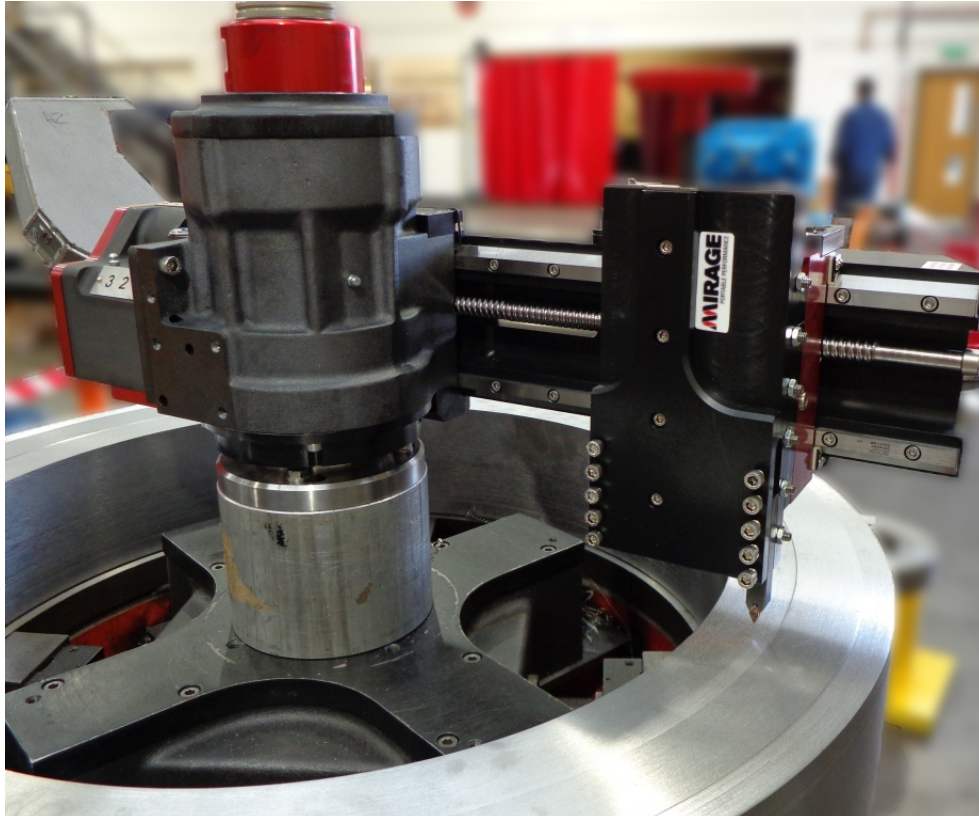


6 – 34" (153 – 864mm)

Rev 1.0

An internally mounted flange facing machine for all types of flange facing, seal groove machining, weld preparation and counter boring.



- **Latest linear technology – delivering a robust, reliable operation**
- **Three speed continuous feed gearbox, for gramophone finish**
- **Quick set adjustable clamping jaws, minimising set up time**

The MM860i machine is supplied complete with toolkit including tools and inserts, air filter lubricator and hose connection, all required mounting base and extensions, storage / shipping box, CE certificate, packing list and manual.

Technical Details

Minimum Facing Diameter	153mm	6"
Maximum Facing Diameter	864mm	34"
Minimum Clamping Diameter	145mm	5.7"
Maximum Clamping Diameter	813mm	32"
Minimum Swing Diameter	576mm	22.6"
Tool Post Travel	100mm	4"
R.P.M	Min: 0	Max: 28
Drive – Pneumatic @ 90 P.S.I (6 bar)	1.56Kw	2.1Hp
Air Consumption / Supply Required	1.798 m ³ /min	67 S.C.F.M

Feed Rates

Facing Feed Rates (3 off In/Out)

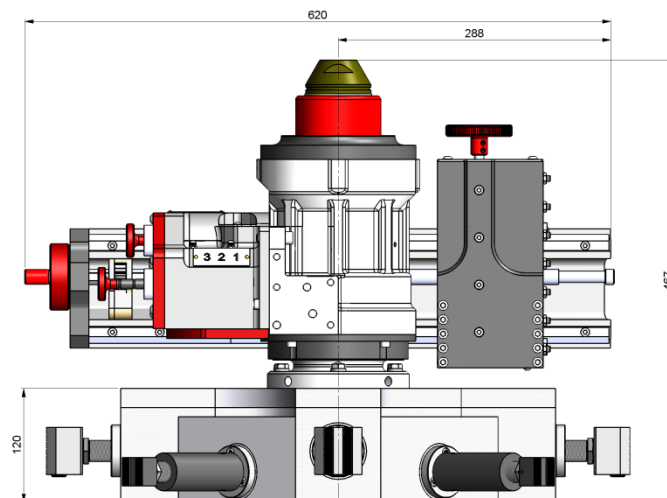
Direction	Gear	mm/rev	inches/rev	grooves per cm	grooves per inch
Out	1	0.165	0.006	60	154
	2	0.258	0.010	38	98
	3	0.628	0.025	15	40
In	1	0.139	0.005	72	183
	2	0.217	0.009	46	117
	3	0.528	0.021	18	48

Weights

Machine Weight	125kg	276lbs
Shipping Weight	200kg	440lbs

Shipping Dimensions

Length		Width		Height	
mm	inches	mm	inches	mm	inches
850	33	600	23.6	750	30



Optional Accessories



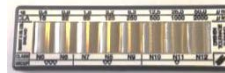
MM1000i-SK
2 years Recommended
Spares Kit



PP1
11 KW 3 phase power pack -
56 L.P.M up to 100 BAR



RBC0130
Surface Comparator – Multi
Discipline



RBC0120
Surface Comparator



RTJM1000
RTJ Measuring Kit



MM1000i-10
Hydraulic Orbital Milling Kit



MM1000i-7
Heat Exchanger Mounting
Plate Kit



MM1000i-22
Heat Exchanger Back Facing
Kit

MM1000i-14
Hydraulic Drive Conversion
Kit

MM860i-7
Compact Flange Machining
Kit