

2 – 12" (50 x 305mm)

Rev 1.1

An internally mounted, lightweight and robust flange facing machine for all types of flange facing, seal grooving, weld preparation and counter boring.



- **Lightweight, precision construction to optimise on-site performance**
- **Geared continuous groove facing feeds for a gramophone finish (ASME Standard)**
- **Striker boring feeds, to complete a full range of application machining**
- **Quick set independent base for improved on-site operation**
- **Hardened slide ways to maintain long term accuracy**
- **Swivel tool post for groove details included; no requirement for separate accessories**

The MM305i machine is supplied complete with toolkit including tools and inserts, air filter lubricator and hose connection, all required mounting feet and extensions, storage / shipping box, CE certificate, packing list and manual.

Technical Details

Minimum Facing Diameter	50mm	2"
Maximum Facing Diameter	305mm	12"
Minimum Clamping Diameter	50mm	2"
Maximum Clamping Diameter	230mm	9"
Tool Post Travel	50mm	2"
R.P.M	Min: 0	Max: 42
Drive – Pneumatic @ 90 P.S.I (6 bar)	0.8Kw	1.1Hp
Air Consumption / Supply Required	1.6 m ³ /min	56 S.C.F.M

Facing Feed Rates

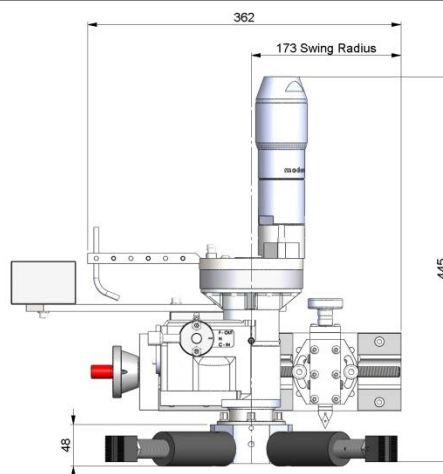
	mm/rev	inches/rev	grooves per cm	grooves per inch
1.0mm pitch feed screw (optional)				
Fine	0.114	0.004	88	224
Coarse	0.455	0.018	22	56
1.25mm pitch feed screw (standard)				
Fine	0.142	0.006	70	179
Coarse	0.568	0.022	18	45
1.75mm pitch feed screw (standard)				
Fine	0.199	0.008	50	128
Coarse	0.795	0.031	13	32

Weights

Machine Weight (Independent of Base)	15kg	33lbs
Shipping Weight	59kg	130lbs

Shipping Dimensions

Length		Width		Height	
mm	inches	mm	inches	mm	inches
650	25	450	18	430	17



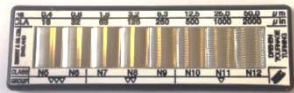
Optional Accessories



MM305i-SK
2 years Recommended Spares Kit



RBCO130
Surface Comparator – Multi Discipline



RBCO120
Surface Comparator

MM500i-11
1.5" Collet Base Assembly

MM500i-14
End Shaft Turning Kit

MM610i-LRK
Lens Ring Machining Kit