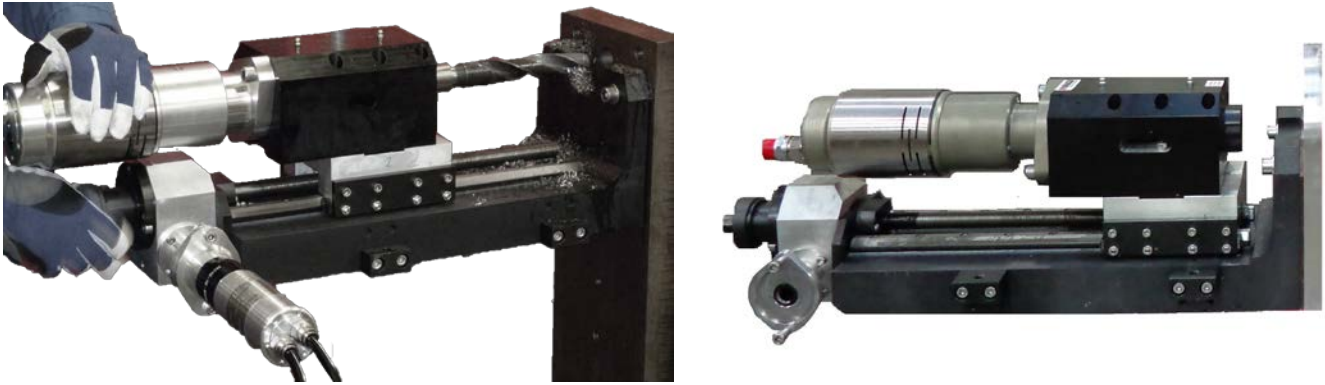


11" stroke - \varnothing 2" capacity

Rev 1.0



- **4MT spindle accepts standard tooling**
- **Auto / manual feed gearbox and motor**
- **Direct spindle drive**
- **Linear rails & guides for accuracy and rigidity**

A versatile, portable, drilling and boring machine for general drilling and stud removal applications. The machine can be bolted directly to the work piece or utilise our optional switch magnet base.

The machine is supplied complete with:

- Toolkit
- Air filter lubricator (when air driven) and hose connection
- Storage / shipping box
- CE certificate
- Packing list and manual.

Technical Details

Maximum Hole Diameter (through base)	50mm	2"
Standard Stroke	276mm	10.9"
Maximum Stroke Available (optional)	500mm	20"
R.P.M - Standard	Min: 0	Max: 286
Drive - Pneumatic @ 6 bar (90 p.s.i)	3.0 Kw	4.0 hp
Drive - Hydraulic @ 70 bar (1050 p.s.i)	4.5 Kw	6.0 hp
Feed - Pneumatic @ 6 bar (90 p.s.i)	0.8 Kw	1.1 hp
Feed - Hydraulic @ 70 bar (1050 p.s.i)	1.5 Kw	2.0 hp
Air Consumption Required	2.69 m3/m	98 c.f.m
Hydraulic Supply Required	50 L/min	13 Gal/min

Feed Rates

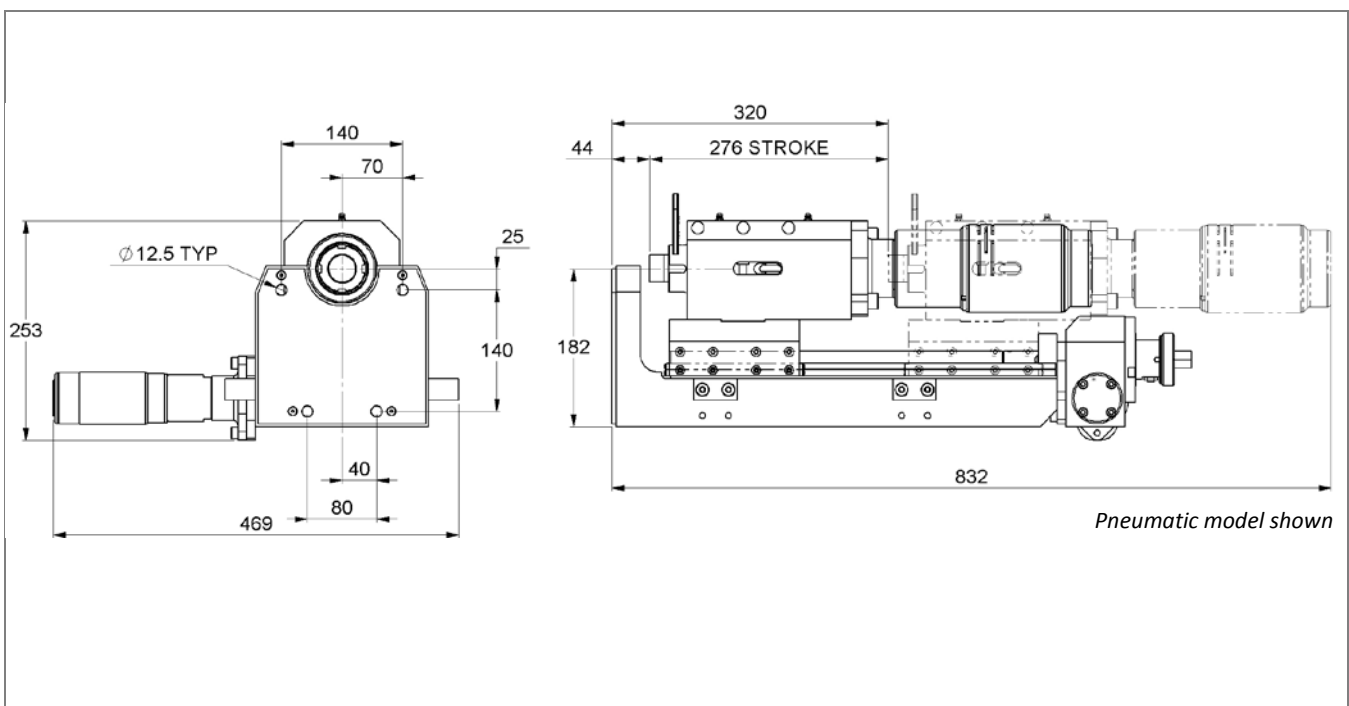
Hand Feed (feed/revolution)	2.5mm	0.100"
Variable Auto Feed (Hydraulic)	0 - 32mm/min	0 - 1.25"/min
Variable Auto Feed (Pneumatic)	0 - 22.6mm/min	0 - 0.9"/min

Weights and Dimensions

Machine Weight	45 Kgs	100 Lbs
Shipping Weight	69 Kgs	152 Lbs

Shipping Dimensions

Length		Width		Height	
mm	inches	mm	inches	mm	inches
840	33	340	13.4	430	17



Rev. B/150331

Optional Accessories



PP2 11 KW 3 Phase Power Pack

60 L.P.M up to 90 BAR – proportional remote operation 24 volt dc fully CE marked.

Featuring remote pendant, speed control stop/start and emergency stop, frame with lifting points and load test cert.



Magnetic Mounts

Fast set mounting system featuring switch magnet mounts for the Mirage range of 2 and 3 axis milling machines and drilling and tapping machines.

The magnets will fix the machines to any steel surface and provide a means of fixing that requires no change to the work piece.