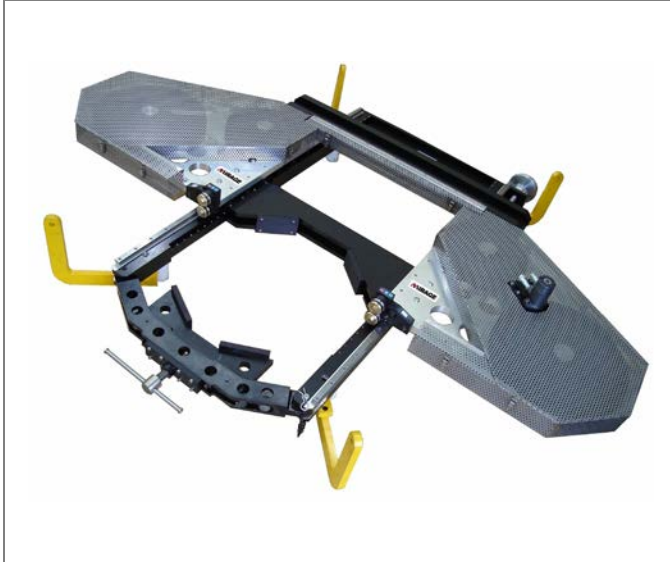


(32 - 48") Portable Band Saw

Rev 1.0



- **Fast efficient cold cutting**
- **Low cost / cut - fast clamping and set up**
- **Subsea kit available - R.O.V operation**
- **New low height for minimum clearances**
- **Extensive blade selection for all materials**

A portable band saw used for all tubular severance, especially for cutting conductors, caissons and multiple grouted strings of various sizes in either surface or subsea applications.

The machine is supplied complete with:

- Saw blade
- Toolkit
- All required mounting blocks and extensions
- Storage / shipping crate
- CE certificate
- Packing list and manual

### Technical Details

Minimum Cutting / Clamping Diameter	812mm	32"
Maximum Cutting / Clamping Diameter	1220mm	48"
Minimum Surface Speed	100mm	4"
Maximum Surface Speed	711mm	28"
Hydraulic Drive @ 50 L/min (13 gpm)	5.0 Hp	3.73 Kw
Hydraulic Feed @ 10 L/min (2.65 gpm)	2.2 Hp	1.64 Kw
Hydraulic Supply @ 1050 p.s.i (70 bar)	60 L/min	15 Gpm

### Feed Rates

Cutting Feed Rate - Auto Feed	25.4mm/min	1" /min
Hand Feed per Revolution	4mm/rev	0.157"/rev

### Weights and Dimensions

Machine Weight (surface version)	915 Kgs	2013 Lbs
Shipping Weight (surface version)	1200 Kgs	2640 Lbs

### Shipping Dimensions

Length		Width		Height	
mm	inches	mm	inches	mm	inches
3700mm	145"	2500mm	98"	900mm	35"

