

150 – 915mm (6 - 36") diameters

Rev 1.0



- **Pneumatic or hydraulic powered helical drive** - High torque transfer with smooth power delivery
- **Hollow hard chrome precision bar reduces bar weight** - minimises sag and assists laser alignment
- **Variable auto feed** – Suitable for wide range of materials and applications
- **Adjustable boring arms** - Quick set up and high torque transfer to the cutting tool
- **Internal/external self-aligning mounts** – Maintains quick set up with spherical bearing built in to accommodate mis-alignment

A precision, heavy duty, line boring machine for stern tubes, rudder bores, hinge pins, gearboxes, turbines and many more applications.

Standard supply: - toolkit, tools & inserts and toolbox, air filter lubricator and hose connection (where required), 2 off four leg mounting plates with self aligning bearings, adjustable arms, feed gearbox & motor, drive gearbox & motor, distributor, storage / shipping box, CE certificate, packing list and manual.

Technical Details

Minimum Boring Diameter (Ø100mm bar)	152mm	6"
Maximum Boring Diameter	915mm	36"
Standard Boring Bar Length Supplied	3550mm	140"
Maximum Bar Length	7500mm	296"
Bar R.P.M - Standard	Min: 5 rpm	Max: 130 rpm
Drive - Pneumatic @ 6 bar (90 p.s.i)	3.0 Kw	4.0 Hp
Feed - Pneumatic @ 6 bar (90 p.s.i)	1.11 Kw	1.5 Hp
Drive - Hydraulic @ 70 bar (1050 p.s.i)	3.7 Kw	5.0 Hp
Feed - Hydraulic @ 70 bar (1050 p.s.i)	1.64 Kw	2.2. Hp
Air Consumption Required / Supply	2.69 m3/m	98 S.c.f.m
Hydraulic Supply Required	50 L/min	13 Gal/min

Feed Rates

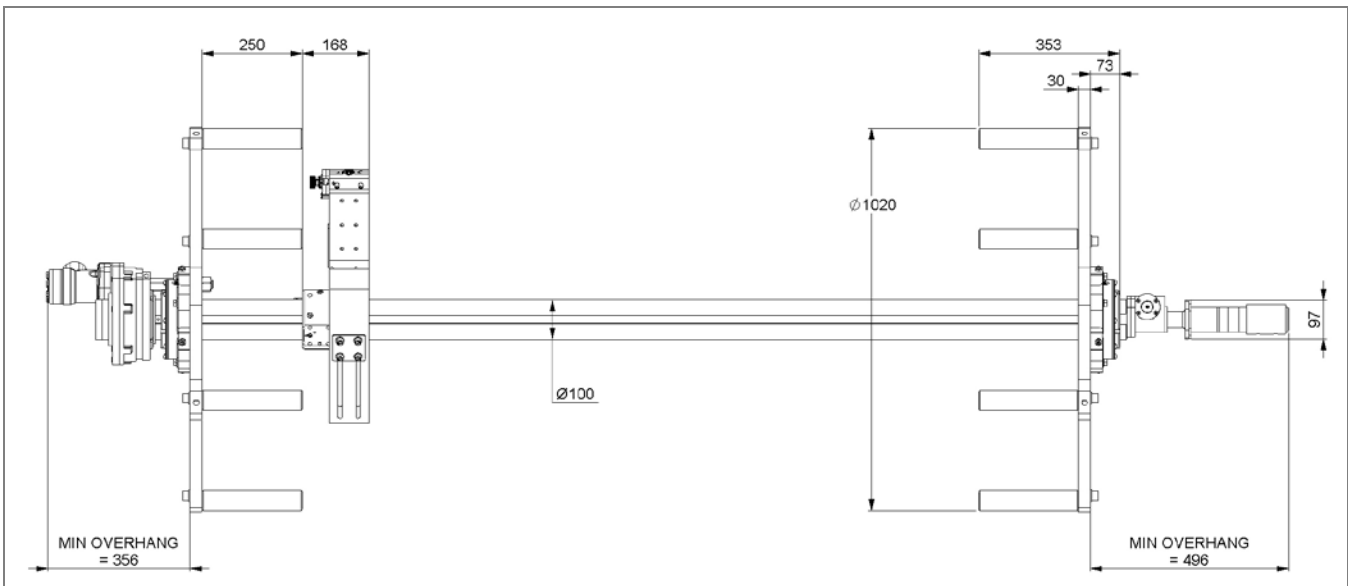
Boring Feed Rate - Infinitely Variable	0 - 25mm/min	0 - 1.0"/min
Hand Feed / Revolution	2.0mm	0.078"

Weights and Dimensions

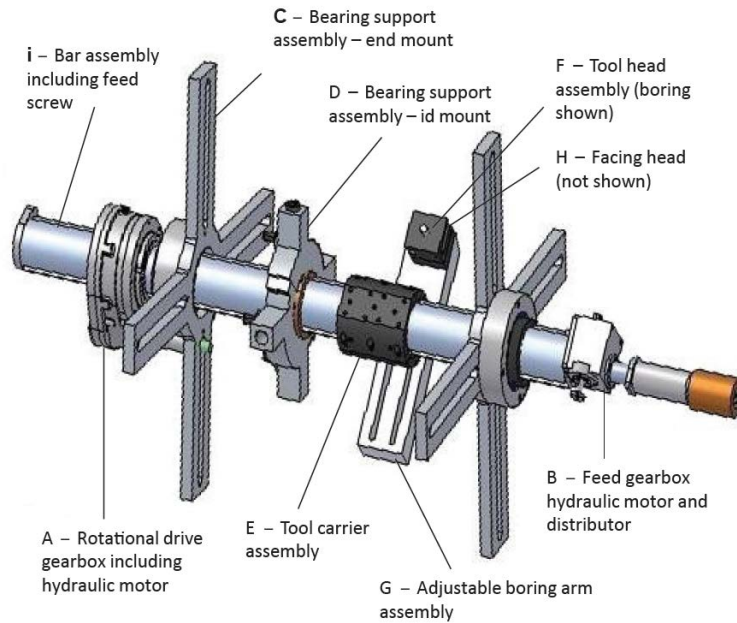
Machine Weight with standard 3.5m bar	313 Kgs	688 Lbs
Shipping Weight with standard 3.5m bar	430 Kgs	946 Lbs

Shipping Dimensions

Length		Width		Height	
mm	inches	mm	inches	mm	inches
3500	138	800	32	600	24



Accessories



A	LB100-1 Rotational Drive & Hydraulic Motor	B	LB100-17 Feed Gearbox, Hydraulic Motor & Distributor
C	LB100-18 (12-32") 4 Arm End Mount Bearing Support	D	LB100-4* (18-36") ID Mount Bearing Support
E	LB100-21 Tool Carrier Assembly	F	LB100-6 (6-15") Tool Post Assembly & Spacers
G	LB100-7 (15-36") Adjustable Boring Arm Set	H	LB100-14 20" Stroke Facing Head Assembly & Striker
I	LB100-9-X Boring bar / feed Screw Assembly (Suffix 'X' Length m)		LB10011 (not pictured) 11.5" Stroke Facing Head Assembly & Striker
	LB100-19 (not pictured) 3 Arm End Mount Bearing Support		<i>Items marked * are optional. All other items are standard supply.</i>