

Image shows equipment provided as standard

Rev 1.3



### DESCRIPTION

Hot Tapping machines available in hydraulic and pneumatic drive options rated to 285 psi. Used for hot tapping from 3” through to 12” with 30” stroke.

### APPLICATIONS

This compact Hot Tapping Machine is designed for pressures up to 285psi, making it ideal for utilities pipelines such as water and gas. The design enables the machine to fit into confined spaces and its manual feed enables safe efficient cutting.

### KEY FEATURES

- Small and portable modular design
- 30” stroke
- Capable of drilling 3” – 12” holes (smaller drill sizes optional)
- 285 Psi pressure rating
- Pneumatic or Hydraulic drive
- Can also be utilized to line stop 4 – 8”.
- Auto feed unit optional extra.

### PERFORMANCE AND SPECIFICATION

|  |  |           |
|--|--|-----------|
| Minimum hole diameter                              | 76mm   | 3”        |
|  | 1/2” Twist Drill - 325mm Long                        |           |
|  | 1/2” Extended Twist Drill (shell cutter)- 575mm Long |           |
| Maximum hole diameter                              | 305mm  | 12”       |
| Maximum stroke                                     | 762mm  | 30”       |
| Maximum working pressure                           | 19.7 Bar   | 285 psi   |
| Temperature min / max                              | -20 deg F  | 250 deg F |
| Connection Flange                                  | 3” CLASS 150   |           |
| Boring bar diameter                                | 65mm / 2.5”  |           |
| Drive motor power                                  | 6.0 Kw   | 8.0 Hp    |
| Air Supply required for peak power @90 psi (6 bar) | 1.19 m3/m  | 42 Scfm   |
| Max Rotation Speed                                 | 62 RPM   |           |
| Manual feed rate                                   | 3.5mm (0.137”) per revolution                        |           |

### INCLUDED AS STANDARD

Machines are supplied complete with the following items;

| LPHT312-H (3-12")<br>Hydraulic Drive  | LPHT312 (3-12")<br>Pneumatic Drive  |
|---|---|
| <ul style="list-style-type: none"> <li>✓ Stucchi quick release couplings</li> <li>✓ Gasket</li> <li>✓ Toolkit</li> <li>✓ Front cover protector for transportation</li> <li>✓ Storage / shipping box</li> <li>✓ Pressure test certificate</li> <li>✓ CE certificate</li> <li>✓ Packing list and manual.</li> </ul> | <ul style="list-style-type: none"> <li>✓ Air lubricator kit</li> <li>✓ 2 off gasket seals: 2m x 1m x 4mm</li> <li>✓ Toolkit</li> <li>✓ Front cover protector for transportation</li> <li>✓ Storage / shipping box</li> <li>✓ Pressure test certificate</li> <li>✓ CE certificate</li> <li>✓ Packing list and manual.</li> </ul> |

### SET UP AND OPERATION

The operator must be:

- Trained and conversant with the LPHT312-H..
- Able to identify the correct and incorrect use of static or portable machines.
- Comply with all local and internationally recognised safe use of powered machines.

### WEIGHTS AND LIFTING

In total 4x lifting points are provided on the machine

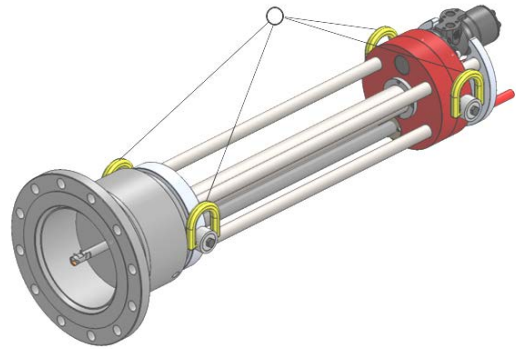
|                 |      |        |
|-----------------|------|--------|
| Machine Weight  | 47kg | 103lbs |
| Shipping Weight | 95kg | 209lbs |

### OPTIONAL ITEMS YOU MAY ALSO NEED

Please consider a hydraulic power unit, operator training and accessories as listed on page 3.

### SHIPPING DIMENSIONS

| Length |        | Width |        | Height |        |
|--------|--------|-------|--------|--------|--------|
| mm     | inches | mm    | inches | mm     | inches |
| 1270   | 50     | 305   | 12     | 305    | 12     |




### MACHINE AVAILABILITY

Purchase  Rental

### LPHT3-12 Accessories

Note: Minimum Valve Size is 2.5"

|  | Part Number  | Description  |
|--|--|--|
|  <p><b>Cutters</b></p>                         | LPC-3  | 3" Low Pressure Hot Tap Cutter - Actual cutter size 2.4" (61.5mm)  |
|  | LPC-4  | 4" Low Pressure Hot Tap Cutter - Actual cutter size 3.4" (86.9mm)  |
|  | LPC-6  | 6" Low Pressure Hot Tap Cutter - Actual cutter size 5.4" (137.7mm)                                       |
|  | LPC-8  | 8" Low Pressure Hot Tap Cutter - Actual cutter size 7.4" (188.5mm)                                       |
|  | LPC-10   | 10" Low Pressure Hot Tap Cutter - Actual cutter size 9.4" (239.3mm)                                      |
|  | LPC-12   | 12" Low Pressure Hot Tap Cutter - Actual cutter size 11.4" (290.1mm)                                     |
| <p><b>Standard, Extended and Holes Saw Drill Adaptor</b></p>   | LPHT312-100  | Standard, Extended and Holes Saw Drill Adaptor   |
|  <p><b>Standard Drills from 1/2" to 2"</b></p> | HTMD-1/2"  | 1/2" Hot Tapping Machine Twist Drill - 325mm Long  |
|  | HTMD-5/8"  | 5/8" Hot Tapping Machine Twist Drill - 347mm Long  |
|  | HTMD-3/4"  | 3/4" Hot Tapping Machine Twist Drill - 349mm Long  |
|  | HTMD-7/8"  | 7/8" Hot Tapping Machine Twist Drill - 363mm Long  |
|  | HTMD-1"  | 1" Hot Tapping Machine Twist Drill - 385mm Long  |
|  | HTMD-1-1/8"  | 1-1/8" Hot Tapping Machine Twist Drill - 393mm Long  |
|  | HTMD-1-1/4"  | 1-1/4" Hot Tapping Machine Twist Drill - 172mm Long  |
|  | HTMD-1-7/16"   | 1-7/16" Hot Tapping Machine Twist Drill - 172mm Long   |
|  | HTMD-1-1/2"  | 1-1/2" Hot Tapping Machine Twist Drill - 172mm Long  |
|  | HTMD-1-5/8"  | 1-5/8" Hot Tapping Machine Twist Drill - 172mm Long  |
|  | HTMD-1-3/4"  | 1-3/4" Hot Tapping Machine Twist Drill - 172mm Long  |
|  | HTMD-1-7/8"  | 1-7/8" Hot Tapping Machine Twist Drill - 172mm Long  |
|  | HTMD-2"  | 2" Hot Tapping Machine Twist Drill - 172mm Long  |
|  |  <p><b>Extended Drills from 1/2" to 1-1/8"</b></p> | HTMD-1/2"XL  |
| HTMD-5/8"XL  |  | 5/8" Extended Hot Tapping Machine Twist Drill - 597mm Long   |
| HTMD-3/4"XL  |  | 3/4" Extended Hot Tapping Machine Twist Drill - 624mm Long   |
| HTMD-7/8"XL  |  | 7/8" Extended Hot Tapping Machine Twist Drill - 563mm Long   |
| HTMD-1"XL  |  | 1" Extended Hot Tapping Machine Twist Drill - 585mm Long   |
| HTMD-1-1/8"XL  |  | 1-1/8" Extended Hot Tapping Machine Twist Drill - 593mm Long   |
|  <p><b>Hole Saws</b></p>                    | HTMH3  | 3" Hole Saw - (Actual Size 2-7/8" : 73mm) - 38mm Cut Depth : Starrett Brand Bi-Metal.                    |
|  | HTMH4  | 4" Hole Saw - (Actual Size 3-1/2" : 89mm) - 38mm Cut Depth: Starrett Brand Bi-Metal.                     |
|  | HTMH6  | 6" Hole Saw - (Actual Size 5-1/2" : 140mm) 51mm Cut Depth Starrett Brand Bi-Metal.                       |
|  <p><b>Hole Saw Pilot Drills</b></p>         | HTMHSP2  | Standard (Large) Holesaw Holder & Pilot Drill - 5/8" thread - 75mm long - 32-210mm (1-1/4 - 8-9/32") Ø   |
|  | HTMHSP3  | Long Series (Large) Holesaw Holder & Pilot Drill - 5/8 thread - 95mm long - 32-210mm (1-1/4 - 8-9/32") Ø |
|  <p><b>Pilot Drills</b></p>                  | LPPD-4   | 3"-4" Low Pressure Pilot Drill   |
|  | LPPD-8   | 6"-8" Low Pressure Pilot Drill   |
|  | LPPD-12  | 10"-12" Low Pressure Pilot Drill   |
|  <p><b>Tap Adaptors</b></p>                 | 150-3FA  | 3" #150 Flange Adaptor 3" #150 Machine Interface   |
|  | 150-4FA  | 4" #150 Flange Adaptor 3" #150 Machine Interface   |
|  | 150-6FA-4  | 6" #150 Flange Adaptor 3" #150 Machine Interface   |
|  | 150-8FA-4  | 8" #150 Flange Adaptor 3" #150 Machine Interface   |
|  | 150-10FA-4   | 10" #150 Flange Adaptor 3" #150 Machine Interface  |
|  | 150-12FA-4   | 12" #150 Flange Adaptor 3" #150 Machine Interface  |